

0-10V Single Color Wall Mounted Controller

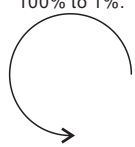
70070004



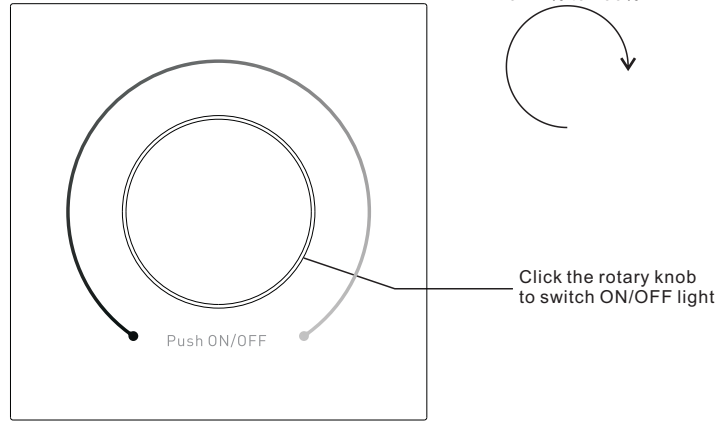
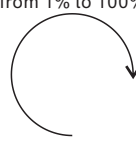
Important: Read All Instructions Prior to Installation

Function introduction

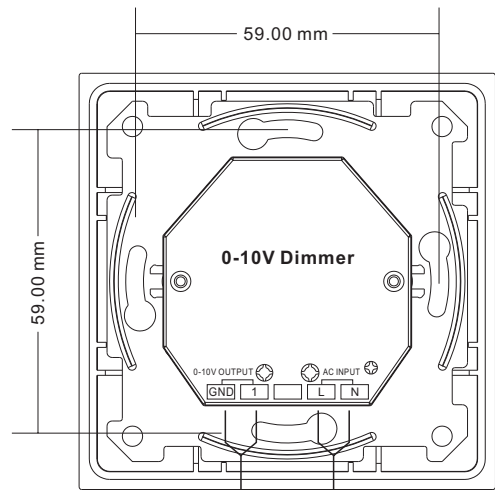
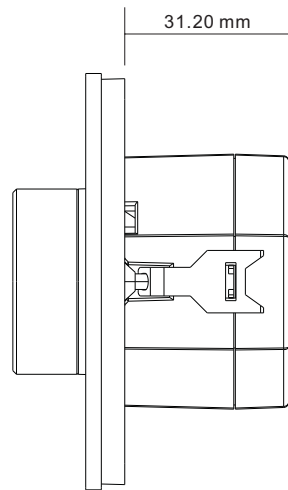
Rotate the knob counterclockwise to decrease light intensity from 100% to 1%.



Rotate the knob clockwise to increase light intensity from 1% to 100%.



Front side



1 channel 0-10V output AC Power input

Back side

Product Data

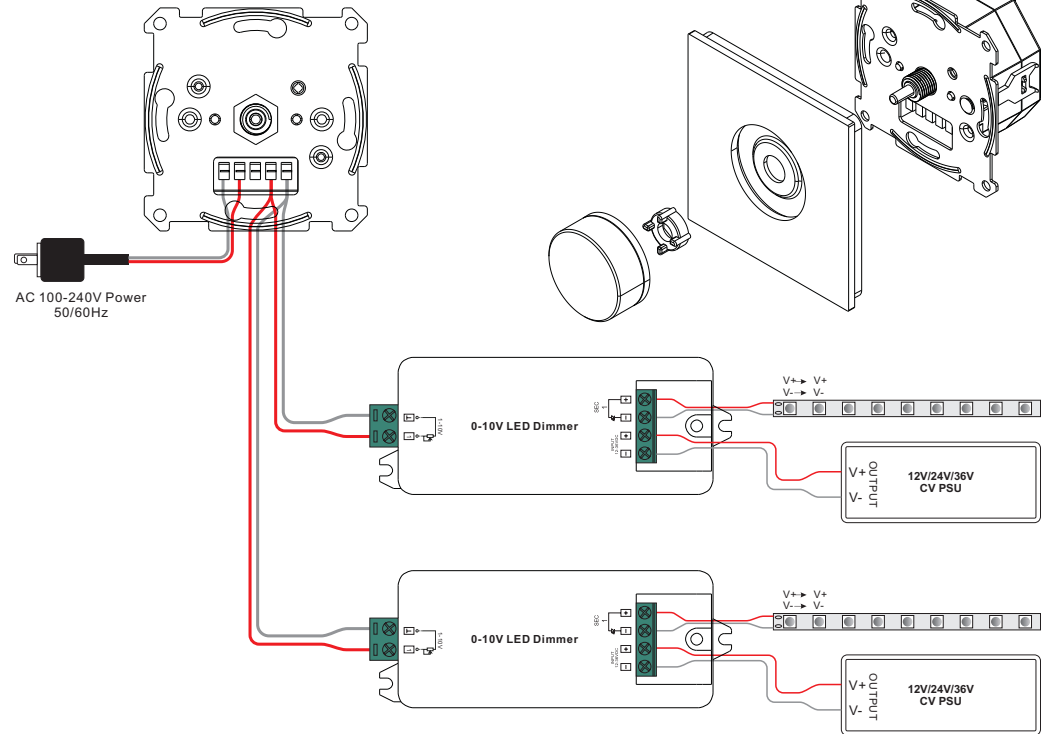
Power Supply	100-240V AC
Power consumption	< 15 mA
Output Signal	1x(0-10V)
Output Current	20 mA
Operating temperature	0-40°C
Relative humidity	8% to 80%
Dimensions	80x80x52.3mm

- Rotation sensitive
- Standard design, The key part of this controller is a universal, extremely rotary standard switch element that can be integrated in numerous frames by different manufactures
- 1 channel 0-10V Signal output
- Control single color
- Waterproof grade: IP20

Safety & Warnings

- DO NOT install with power applied to device.
- DO NOT expose the device to moisture.

Wiring diagram



Installation

